

## auto electrical parts

### Technical Information Sheet

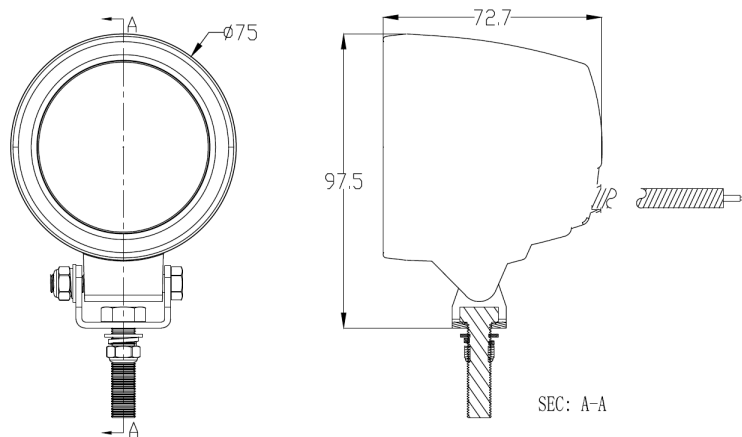
#### Part No. 0-420-84

Durite's powerful and compact 3 x 3 watt 10-60 volt OSRAM LED work lamp emitting a blue arrow ideal for forklifts. Light emitted visible up to 15 meters away.

Die cast aluminum housing, supplied with stainless steel bracket. Protected to IP67. E Marked ECE R10 EMC.



#### Technical Drawing (not to scale)



#### Specification

Type	LED Spot Lamp - Blue Arrow
Voltage	10-60VDC
LED's	3 x 3W
Housing	Aluminium
Lens	PC
Degree of protection (IP)	IP67
Operating temperature	-40°C ~ 50°C
Weight	0.300Kg
Lifespan	50,000 Hours
Dimensions	l 72.7 x w 75 x h 97.5mm
Approvals	CE, E Marked ECE R10 EMC

The information contained in this document is correct to the best of our knowledge at the time of printing. However, specifications may change at any time without notice.